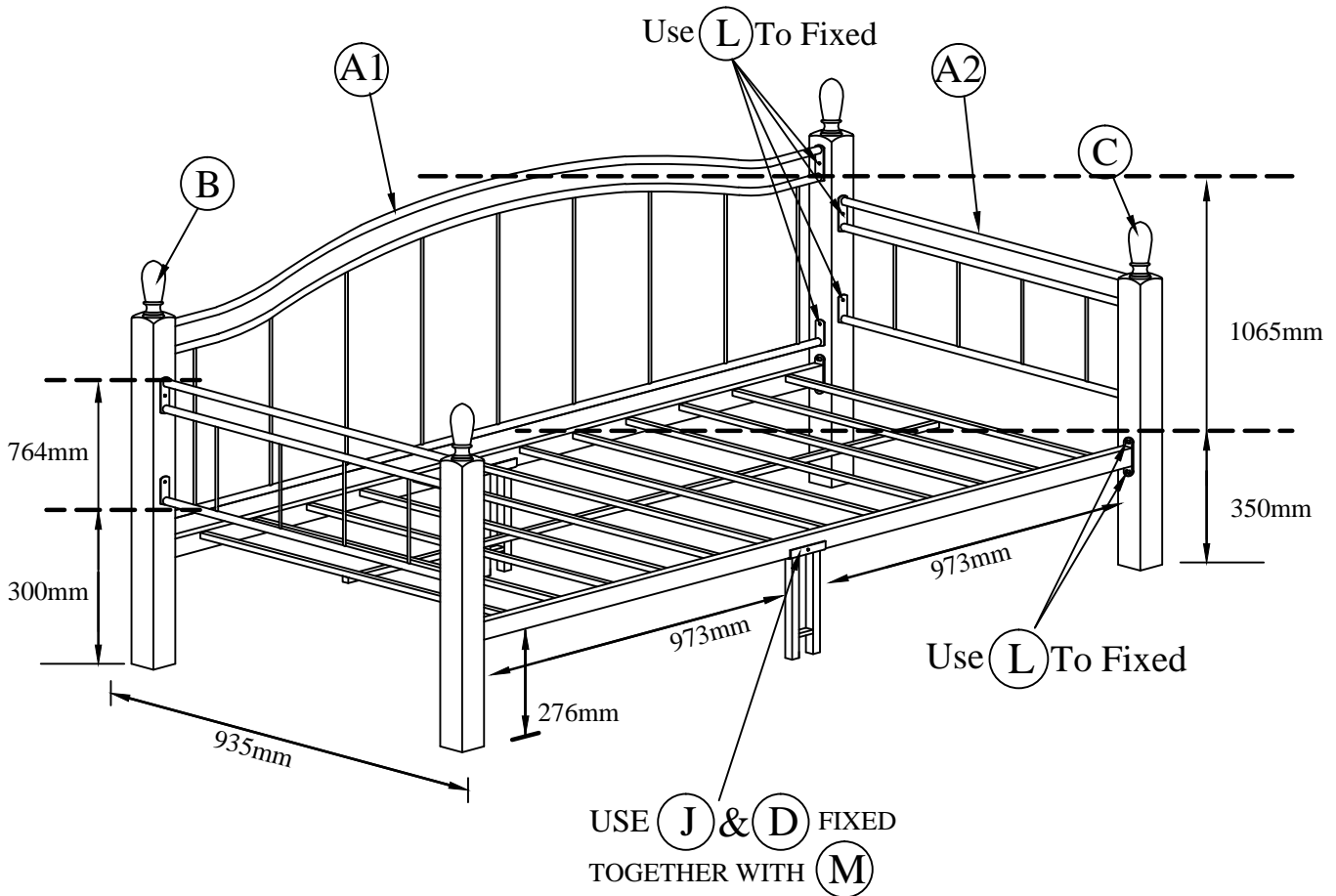


# ASSEMBLY INSTRUCTION LANDLER DAY BED



PART LIST			
<p>A1. Backboard (1pc)</p>	<p>B. Woodpost "H" (2pcs)</p>	<p>C. Woodpost "L" (2pcs)</p>	<p>D. Metal Slat (1 pc)</p>
<p>A2. Sideboard (2pcs)</p>	<p>J. Support Leg (2 pcs)</p>		

HARDWARE LIST			
K.		L Allen Key M4	1 pc
L.		M6 x 25mm Bolt	Back&Side Board / Metal Slat 20 pcs
M.		M6 x 40mm Bolt With Hex Nut	Metal Slat with Support Legs 2 pcs